

## TMG250 SERIES - METALLIC FLOWMETERS

### TECHNICAL FEATURES

- Measuring tube in AISI 316
- Float and wetted parts in AISI 316
- Magnetic of reading transmission
- Aluminium housing IP 66
- Vertical mounting with rising flow
- Measuring range: 1/10 - scale ~ 100 mm.
- Accuracy:  $\pm 1,5\%$  full scale value
- Connections: flanged ANSI 150 RF - UNI PN 16  
threaded DIN 11851 (for food industry)  
threaded GAS-F / NPT-F  
TRI-CLAMP BS 4825 (other standard on request)

### OPERATING CONDITIONS

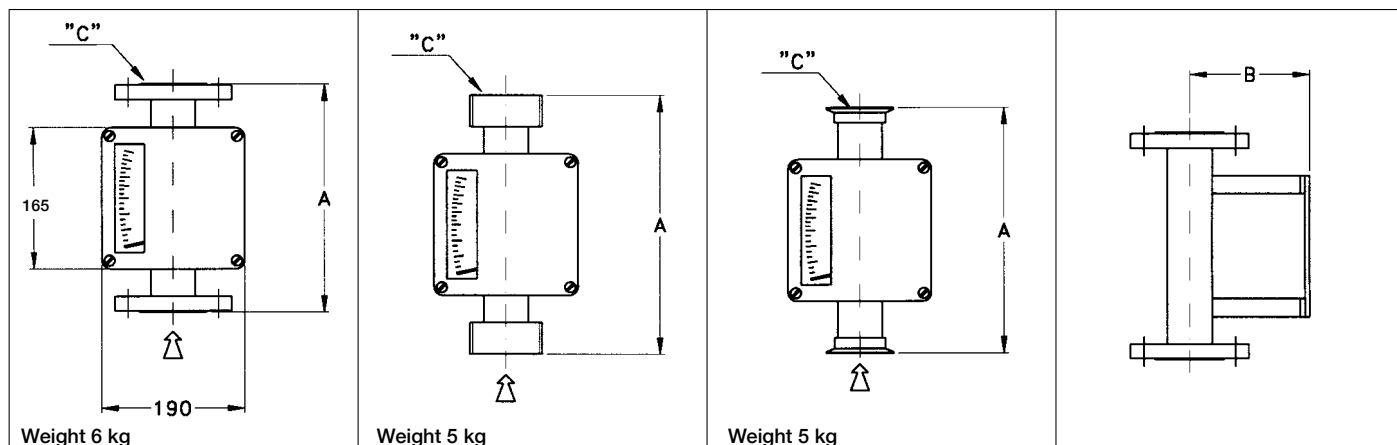
- Max pressure 40 Bar
- Media temperature  $-196\text{ }^{\circ}\text{C}$   $+400\text{ }^{\circ}\text{C}$
- Max temperature with self-regulator  $140\text{ }^{\circ}\text{C}$

### OPTIONS - ACCESSORIES

- Version for high pressure and temperature
- Electronic transmitter 4-20 mA
- Intrinsically safety transmitter EEx ia IIC T6, 4-20 mA
- Min and/or max. contact SPDT, type Reed (30V dc/ac; 0,1 A)
- Min and/or max. contact SPDT, of inductive bistable type
- Electrical connection PG 11
- Heating jacket for flanged version (connections 1/2 NPT-F)
- Housing in AISI 316
- Housing with electrical protection ATEX II 2 GD Exd IIC T6
- Standard power supply or EEx ia IIC T6 (110V ac / 220V ac)



- Self-regulator in input or output for gas with connections:  
1/4" up to 3 Nmc/h  
1/2" up to 20 Nmc/h  
- Self-regulator in input (RE), is used with variable pressure in input and constant in output (this last value has to be used in the calculation).  
- Self-regulator in output (RU), is used with variable pressure in output and constant in input (this last value has to be used in the calculation).



### DIMENSIONS SCHEDULE

DN BODY	B (mm)	FLANGED			TRI - CLAMP		DIN (FOR FOOD INDUSTRY)	
		A (mm)	C		A (mm)	ø connection (mm)	A (mm)	C ø connection (mm)
			ANSI	UNI				
1/2"	125	250	1/2"	15	250	50,4	265	52 x 1/6
1"	130	250	1"	25	250	50,4	265	65 x 1/6
2"	150 (n1)	250	2"	50	250	90,9	265	95 x 1/6
3"	160	250	3"	80	250	155	275	130 x 1/4
4"	180	250	4"*	100*	-	-	340	130 x 1/4

\* 5" or DN 125 with heating jacket - (n1) 160 mm. for version of 25 m<sup>3</sup> /h

The threaded connection GAS and NPT have the same DN of the body.



## FLOW RANGE SCHEDULE

DN BODY	CODE	FLOW RANGE OF H <sub>2</sub> O sg= 1 cps= 1 (l/h)	CODE	FLOW RANGE OF AIR (Nm <sup>3</sup> /h)	Max PD mbar
1/2"	A01	2,5 - 25	B01	0,08 - 0.8	50
1/2"	A02	4 - 40	B02	0,12 - 1.2	55
1/2"	A03	6,3 - 63	B03	0,2 - 2	55
1/2"	A04	10 - 100	B04	0,3 - 3	35
1/2"	A05	16 - 160	B05	0,5 - 5	35
1/2"	A06	25 - 250	B06	0,75 - 7.5	35
1/2"	A07	40 - 400	B07	1,2 - 12	30
1/2"	A08	63 - 630	B08	2 - 20	30
1/2"	A09	100 - 1.000	B09	3 - 30	35
1"	A10	100 - 1.000	B10	3 - 30	40
1"	A11	160 - 1.600	B11	5 - 50	40
1"	A12	250 - 2.500	B12	7,5 - 75	45
1"	A13	400 - 4.000	B13	12 - 120	45
1"	A14	600 - 6.000	-	-	75
2"	A15	630 - 6.300	B15	20 - 200	45
2"	A16	1.000 - 10.000	B16	30 - 300	40
2"	A17	1.600 - 16.000	B17	50 - 500	40
2"	A18	2.500 - 25.000	-	-	45
3"	A19	2.500 - 25.000	B19	75 - 750	45
3"	A20	4.000 - 40.000	B20	120 - 1.200	45
3"	A21	6.300 - 63.000	-	-	80
4"	A22	6.300 - 63.000	-	-	70
4"	A23	10.000 - 100.000	-	-	100

### HOW TO ORDER

Example: TMG250 - A - 15 - A09 - TO - RPJE - XX

TMG250 model

A connections ANSI  
 U connections UNI  
 D DIN connections for food industry  
 T Tri-Clamp connections  
 G Threaded GAS-F  
 N Threaded NPT-F

15 dn 15 or 1/2"  
 25 dn 25 or 1"  
 50 dn 50 or 2"  
 80 dn 80 or 3"  
 100 dn 100 or 4"  
 125 dn 125 or 5"

A09 low range 100 - 1000 l/h of H<sub>2</sub>O

T0 without transmitter and contacts  
 T1 Std. transmitter 4-20 mA  
 T2 Transmitter EExi  
 T3 Transmitter HART ®  
 T4 Transmitter HART® EExi  
 C1 no. 1 contact Reed type  
 C2 no. 2 contacts Reed type  
 C3 no. 1 inductive bistable contact  
 C4 no. 2 inductive bistable contacts  
 RPJE self-regulator 1/4" ss 316 in input  
 RGJE self-regulator 1/2" ss 316 in input  
 RPJU self-regulator 1/4" ss 316 in output  
 RGJU self-regulator 1/2" ss 316 in output  
 XX speciality to be described separately  
 (ex. housing in inox)

In case of fluid different from water please specify the type of fluid precising: specific gravity, viscosity, temperature, pressure, at the operating conditions.

**ob OFFICINE OROBICHE** S.p.A.

24010 Ponteranica (Bergamo) ITALY - via Serena, 10 - Tel. 0039.035.4530.211 - Fax 0039.035.570546  
 www.officineorobiche.it e-mail: info@officineorobiche.it Information subject to change without prior warning