



**INSTRUCTION MANUAL FOR TRANSPARENCY LEVEL INDICATORS
T series**

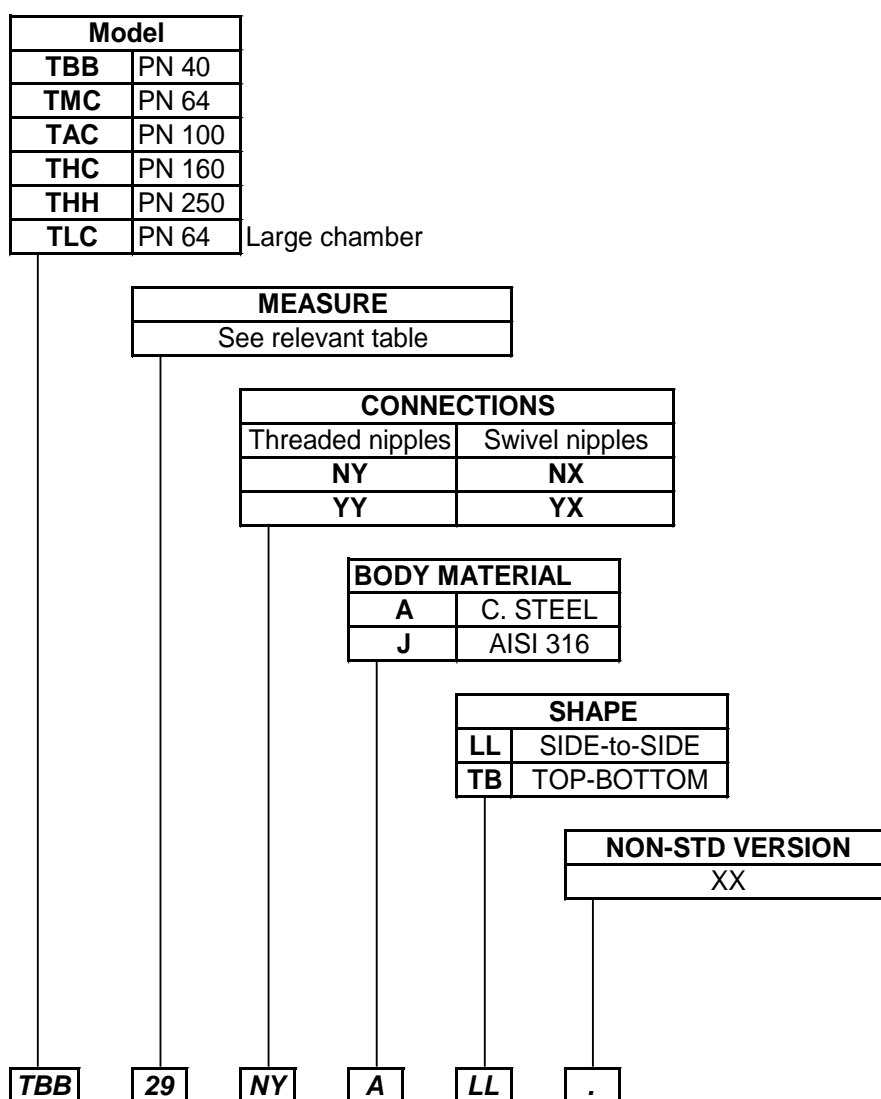
1. INSTRUMENT DESCRIPTION

Transparency-type level indicators display the fluid level through a transparent surface that is part of column connected to the vessel via interception (on/off) members.

The robust construction and good visibility enable use in heavy-duty applications with pressure values up to a rating of PN250 and temperatures up to 300°C.

In order to ensure an accurate reading, its use is **not recommended** with fluids that tend to form deposits or scaling.

2. MODEL IDENTIFICATION



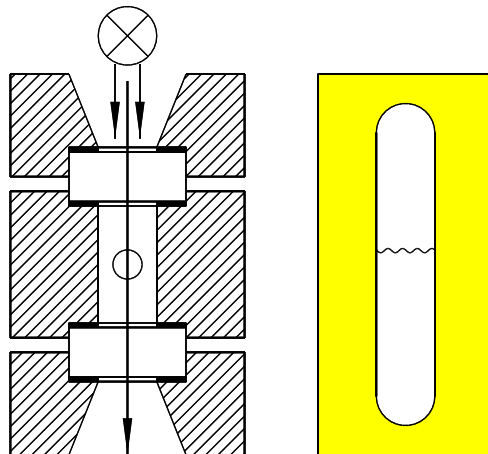
Accessories: the instrument can be equipped with various accessories, such as:

- illuminator to improve the reading;
- reading extension with cryogenic fluids (antifrost);
- Centimetre-graduated scale (other engineering units on demand)
- MICA or PFA sheet to protect crystal from aggressive fluids

3. OPERATING PRINCIPLE

The measuring portion includes two flat and transparent crystals that form, along with the indicator's body, the chamber that holds the fluid.

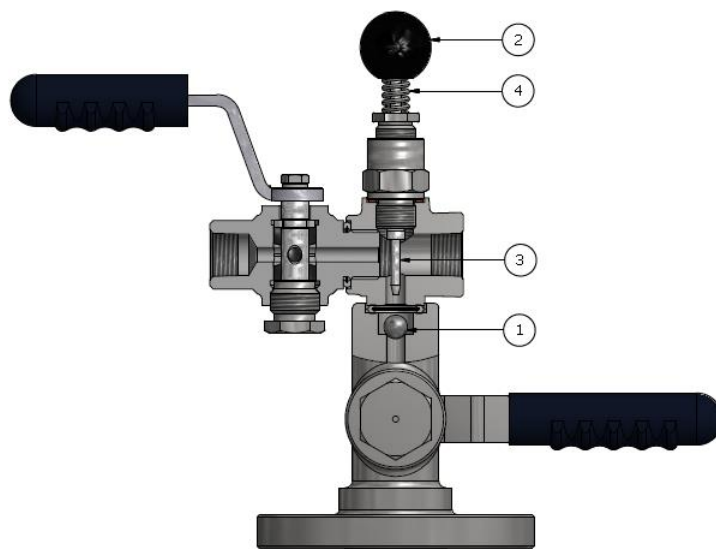
Through the light that runs across the two crystals, the fluid level can be viewed. If sunlight is not enough, a lamp is used.



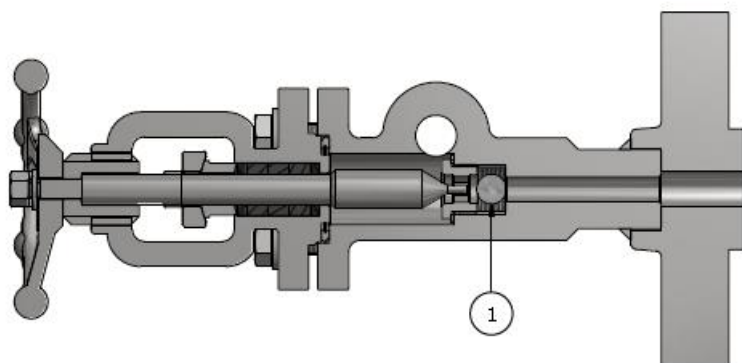
SAFETY BALL FUNCTION

The safety ball is used to prevent the fluid from flowing out of the vessel in cases when a crystal breaks.

In the NY model, the ball (1) automatically **closes** the passage of the flow that forms when the crystal breaks. Once instrument integrity is restored, at the starting stage the knob (2) needs to be pressed so that the bar (3) moves the ball (1) and allows the level gauge body to be correctly filled. It is always advisable to adopt at least one safety ball, to be located in the lower portion of the device. It is advisable to use two balls, one above and one below, when the vessel level exceeds that of the level gauge (e.g. in the event of several level gauges in a row).



In the YY model, the same instructions as given above apply, except that the ball (1) is moved by the stem at the closing stage. Hence, a reset is operated by performing a closing-opening move.



4. INSTALLATION

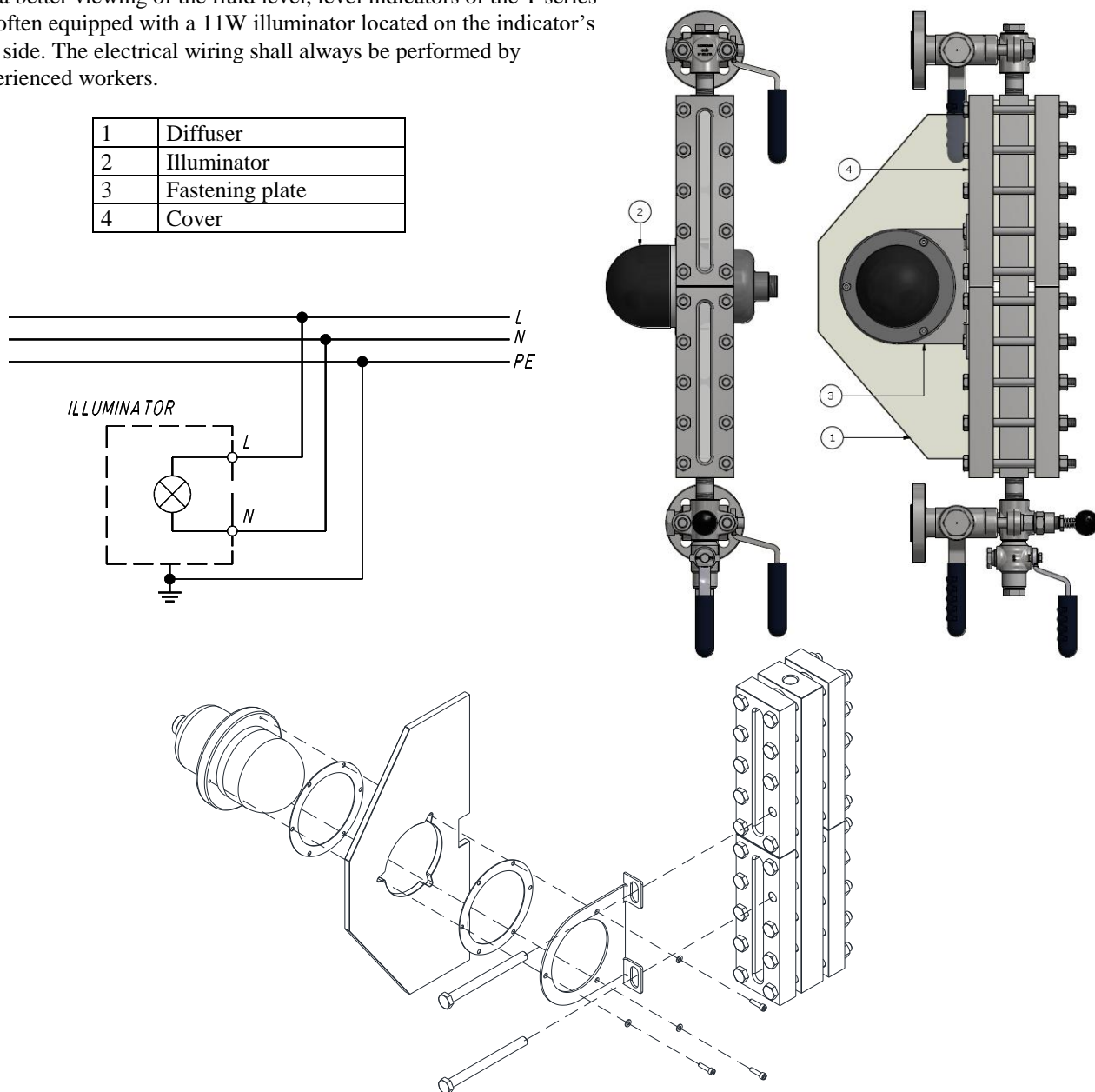
4.1. FITTING

The (standard) instrument is supplied equipped with on/off valves, a drain valve and a safety ball located in the device lower portion. (Standard) connections are **side-to-side** with facing crystal. The instrument shall only be installed and used by qualified staff. Before installing it, check vessel and instrument connections for compatibility. It is strictly forbidden to load the device with external loads and it is the user's obligation to protect it from all stress; never use it as a support point. To avoid galvanic corrosion effects, the use of materials with a different electrochemical potential is forbidden. The user shall adopt all technical measures required to preserve the unit from such an event. The system shall be equipped with the prescribed safety valve, to remedy overpressure beyond the maximum expected values. In the event of air or steam bubble formations, please apply relief valves on the upper connections. For installation on vessels exposed to strong vibration, please contact our customer service. The system connection process shall be accurate so that all items (flanges, gaskets, stud bolts) perfectly match to avoid sealing problems and create useless mechanical stress over the system and/or the instrument.

Warning: if the fluid in use is allowed to turn to ice (e.g. water), the instrument could suffer damages. Therefore, we suggest using a heating tracer.

4.2. ELECTRICAL WIRING

For a better viewing of the fluid level, level indicators of the T series are often equipped with a 11W illuminator located on the indicator's rear side. The electrical wiring shall always be performed by experienced workers.





Inside the illuminator there is a terminal block for the electrical wiring. The illuminator, diffuser, lamp and mounting bracket set shall be mounted on site, and only after the unit has been connected to the system; this is due to the fact that the illuminator is made of a fragile material and needs to be handled with the utmost care. In the event of levels with a high centre distance, two separated illuminator-diffuser units are adopted. The lamp to be placed into the illuminator is provided as a detached part along with the material. The assembling sequence is provided in paragraph 7 (Maintenance). Ensure the illuminator cover is closed before injecting voltage. The user, as per the drawing, shall provide suitable ground connections to protect the working staff along with any other equipment possibly present

4.3. FITTING THE DIFFUSER-ILLUMINATOR

The diffuser-illuminator shall be assembled after the instrument has been fitted on the system.

We recommend that two people do the job, to avoid breaking the (glass) diffuser.

- ensure the diffuser is correctly sized; it shall fit into the device slots and come into contact with the crystal
- verify the bracket is correctly in place; if it is located on the side of the diffuser, its fixing slots shall match the crystal closing bolts
- ensure the instrument is turned off, discharged of any pressure and without fluid inside
- unscrew the two bolts (4) from the cover corresponding to the plate slots (3) and re-assemble by re-tightening all of the cover screws. Comply with the sequence and the torque values given in the table (see par.7.1);
- insert the diffuser into the slot against the crystal and ensure the bracket holes are aligned with those of the diffuser (place the gasket between the glass and the bracket).
- insert the illuminator and carefully tighten the screws.

5. FIRST START-UP

Remove all plugs or other protection devices from the connections before starting fitting the instrument onto the system. Ensure that any on/off, drain and relief valves are closed. Connect the device to the system. For very hot fluids, to avoid excessive thermal stress on the crystals, you need to adapt the body temperature to the process temperature, before opening on/off valves. Slowly open the upper on/off valve, to balance pressure values between the instrument and the vessel. Then slowly open the lower on/off valve to let the fluid into the instrument without actuating the safety ball. As soon as pressure inside the instrument has stabilized, the valves can open wide. The instrument has been previously tested and it has been ascertained that it does not have any fluid leaking out of the junctions. In cases when leaks show up owing to the settlement of junctions, the latter shall be clamped as indicated in paragraph 7 (Maintenance). During the first 24 hours of operation, periodically inspect junctions for damages.

Warning:

- Valves are **closed** when the knob is aligned with the connection.
- The drain valve shall only be opened when the instrument is blocked and pressure has been released; at the beginning, the vent shall be opened by a few degrees, so as to slowly release the instrument internal pressure, then action shall be taken on the drain valve to let out all the fluid that is in the level gauge.

6. CALIBRATION

The instrument does not require any calibration to be performed (not applicable).

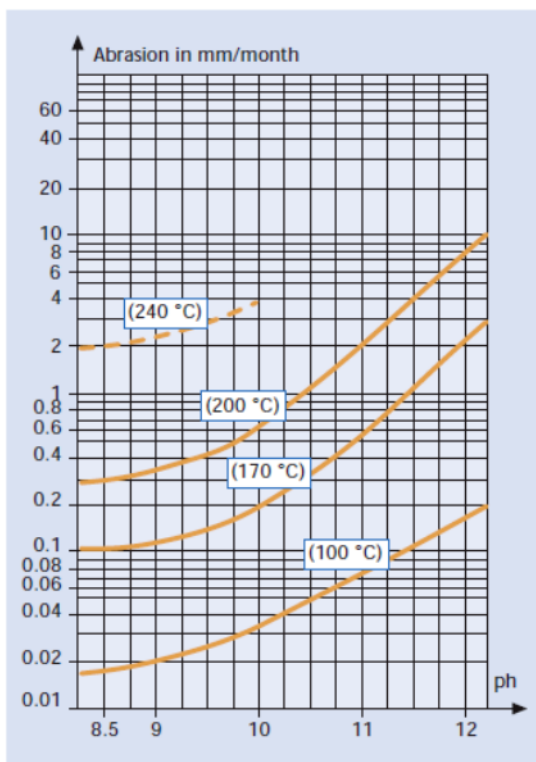
7. MAINTENANCE

Maintenance shall **only** be performed by qualified personnel, being perfectly aware of operation and having sound and proven experience with this kind of work. A cyclical inspection is recommended (once every six months approximately) to guarantee the perfect working order of the instrument. More in detail, check crystals for integrity, since some fluids may deeply corrode the glass. Inspect and clean the glass and intercept valves. Moreover, check the bolts for proper tightening. The numerical series shows the bolt tightening sequence. The tightening value is indicated in the table below, as a function of the various models. **Note:** all maintenance activities shall **always** be performed with the interceptor instrument emptied of the fluid that is inside, and once it has come back to room temperature.

LIMITS OF USE WITH SATURATED STEAM OR CORROSIVE SUBSTANCES FOR GLASS.

Glass level indicators when used with saturated steam must be controlled periodically to verify the glass condition. In particular reflex level gauges in presence of steam can't exceed 20 bar pressure with a 211 °C temperature. In this conditions glass abrasion become relevant and the replacement / control must be scheduled at least every three months. In case of high water's pH value the abrasion become more pronounced, see the fig.1 graph that shows the abrasion in function of pH and temperature over time.

Fig. 1



What said is true also for corrosive substances for glass, for example Sodium hydroxide or acids that corrode glass (Hydrofluoric acid, citric acid or others).

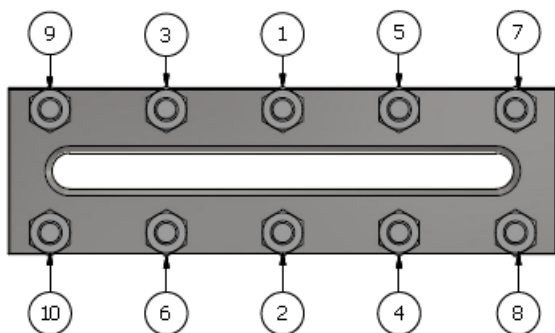
With transparent level gauge the reflex level gauges limits can be overcome applying MICA sheets. This material has a great high temperature resistance even in presence of steam; periodic controls are needed anyway because in case of collapse of the mica protection the glass would be exposed to the direct action of the abrasive. For high corrosive media, protect the glass with KEL-F foils or other equivalent materials.

For usage limits of glass levels indicators contact Officine Orobiche or visit the website.

7.1. WARNINGS

- **never** open the illuminator cover without first ensuring that voltage supply has been disconnected
- **never** leave the illuminator housing without its cover for longer than the inspection time
- **never** use the instrument at a temperature or a pressure that exceeds the values specified on the rating plate;
- **never** use the instrument with an electrical rating that exceeds the plate rating
- **never** perform settings or replace parts without having read the instructions beforehand; in case of doubts, please contact our customer service department
- **never** lubricate any part of the instrument;
- If the instrument is used with very high temperatures, take all precautionary measures required to guarantee personal protection to the personnel on duty during the various maintenance stages.

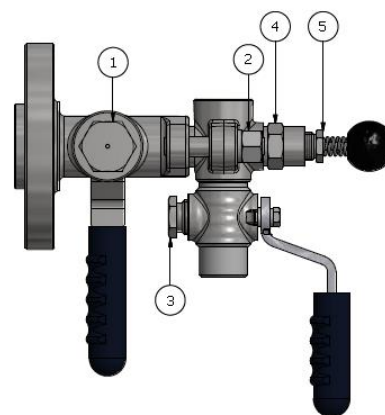
LEVEL GAUGE BODY DETAIL VIEW



Bolt torque table		
Model	Size	Tightening
TBB	11 - 79	35 Nm
TMC	11 - 79	38 Nm
TAC	11 - 79	40 Nm
THB	11 - 79	55 Nm
THC	11 - 79	55 Nm
THH	11 - 79	65 Nm
TLC	12 - 69	38 Nm

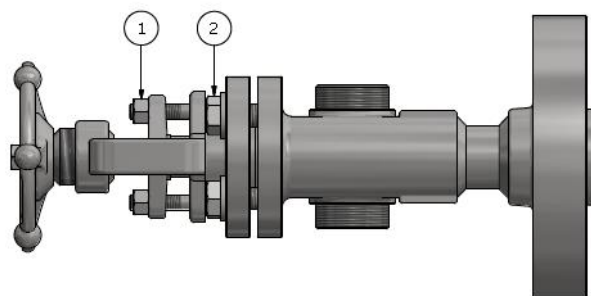
NY VALVE ASSEMBLY DETAIL VIEW

In cases when leaks show up, owing to the settlement of junctions in positions 1 to 5, operate a further tightening until the leak is undone.



YY VALVE ASSEMBLY DETAIL VIEW

In cases when leaks show up, owing to the settlement of junctions in positions 1 and 2, operate a further tightening until the leak is undone.



7.2. LEVEL BODY MAINTENANCE

LEVEL GAUGE BODY CLEANING

- Close intercept valve
- Slowly open the vent, until environmental pressure is balanced in the indicator
- Drain the fluid into a suitable vessel
- Open the drain or the drain valve so that the fluid can flow out
- Use a flushing fluid that does not interfere with the process fluid, or does not cause problems to the glass. Clean the indicator inside, if necessary, use a brush.
- Put the indicator into service in accordance with paragraph 5 (First Start-Up)

VALVE CLEANING

Intercept valves of the glass level indicator cannot be cleaned on site. The cleaning shall only be performed in a laboratory.



CRYSTAL GLASS REPLACEMENT

- Note:**
- Crystal replacement shall only be made by experienced staff
 - Crystal replacement always goes along with gasket replacement
 - Model TBB is equipped with “type A” crystals, 30 mm wide; models TMC, TAC, THC, THH and TLC are equipped with “type B” crystals, 34 mm wide.
 - Take all the steps set forth in paragraph 7.2 (Level gauge body cleaning)
 - Unscrew the cover nuts (see drawing Level Gauge body)
 - Remove the cover
 - Remove all defective glass and replace all leaking gaskets
 - Clean the gasket area (do not use sharp tools)
 - Insert the new gasket in the dedicated area
 - Insert the gasket with the glass inside the cover
 - Insert the reflection glass into the special groove
 - Fit the cover back in place
 - Tighten the bolts as described in paragraph 7
 - Check all tightening again during the first 24 working hours.
 - For severe application (eg high pressure steam) after the first 24-48 hour working close intercept valves, reset the pressure inside the instrument and tight the bolts again

NY VALVE CASE REPLACEMENT

- See paragraph 9 (Recommended spare parts) for reference numbers.
- The replacement of the case shall be performed with the device being disconnected from the system and in a laboratory setting.
 - Disassemble the valves from the level gauge body by unscrewing the stud bolts (1)
 - Unscrew the plug (7) and (9) as a function of the valve type
 - With a wooden or aluminium extension, hit the case with a knocker so that all parts that are inside may come out.
- Warning:** the screw-tap shall not be exposed to blows or scratches, as they would compromise the valve sealing capacity
- Carefully clean the parts
 - Apply the ring in two halves (5) or (12) to the screw-tap (4) or (10)
 - Introduce the screw-tap into the new case (6) or (11) until it presses against the ring
 - Insert the whole set into the valve body, taking care the case is driven by the dedicated slot provided in the valve body.
 - Put the case-pressing plug (7) or (9) back in place.
 - Move the knob a few times to check for proper rotation.
 - Put the valve unit back in place on the level gauge body.
 - Set the device to operate, in accordance with paragraph 5 (First Start-Up)
 - Inspect the gasket during the first 24 working hours.

YY VALVE CASE REPLACEMENT

- See paragraph 9 (Recommended spare parts) for reference numbers.
- The replacement of the stuffing box ring shall be performed with the device being disconnected from the system and in a laboratory setting.
 - Disassemble the valves from the level gauge body by unscrewing the stud bolts.
 - Remove the handwheel 13 by unscrewing nut 15
 - Remove the stuffing box ring 7 and the stuffing box retainer 9
 - Replace the stuffing box ring with the new one
 - Re-assemble the whole set
 - Move the handwheel a few times to ensure proper rotation
 - Put the valve unit back in place on the level gauge body.
 - Set the device to operate, in accordance with paragraph 5 (First Start-Up)
 - Inspect the gasket during the first 24 working hours.

REPLACING THE ILLUMINATOR LAMP

- Disconnect the voltage supply
- Screw on the locking-opening pin
- Unscrew the rear portion of the illuminator
- Replace the lamp
- Screw on the rear cover back in place
- Partially unscrew the locking-opening pin until its effectiveness is verified (when you try to unscrew, the cover shall lock out)
- Inject voltage again and check the lamp for proper operation

8. 8. DIMENSIONAL DRAWINGS OF THE BODY

Key:

- Mis. = Body size
- INT. = Process connection axle distance
- D = Body dimension
- V = Visual part size
- C = Crystal glass size

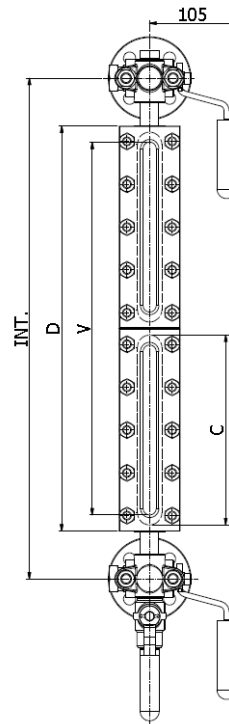




Table for model TBB					Table for model TMC					Table for model TAC				
Mis.	INT. min. (NY)	D	V	C	Mis.	INT. min. (NY)	D	V	C	Mis.	INT. min. (NY)	D	V	C
11	196	128	91	115	11	196	128	91	115	11	196	128	91	115
12	221	153	116	140	12	221	153	116	140	12	221	153	116	140
13	246	178	141	165	13	246	178	141	165	13	246	178	141	165
14	271	203	166	190	14	271	203	166	190	14	271	203	166	190
15	301	233	196	220	15	301	233	196	220	15	301	233	196	220
16	331	263	226	250	16	331	263	226	250	16	331	263	226	250
17	361	293	256	280	17	361	293	256	280	17	361	293	256	280
18	401	333	296	320	18	401	333	296	320	18	401	333	296	320
19	421	353	313	340	19	421	353	313	340	19	421	353	313	340
24	474	406	367	190	24	474	406	367	190	24	474	406	367	190
25	534	466	427	220	25	534	466	427	220	25	534	466	427	220
26	594	526	489	250	26	594	526	489	250	26	594	526	489	250
27	654	586	549	280	27	654	586	549	280	27	654	586	549	280
28	734	666	628	320	28	734	666	628	320	28	734	666	628	320
29	774	706	668	340	29	774	706	668	340	29	774	706	668	340
36	857	789	751	250	36	857	789	751	250	36	857	789	751	250
37	947	879	841	280	37	947	879	841	280	37	947	879	841	280
38	1067	999	961	320	38	1067	999	961	320	38	1067	999	961	320
39	1127	1059	1021	340	39	1127	1059	1021	340	39	1127	1059	1021	340
47	1240	1172	1134	280	47	1240	1172	1134	280	47	1240	1172	1134	280
48	1400	1332	1294	320	48	1400	1332	1294	320	48	1400	1332	1294	320
49	1480	1412	1374	340	49	1480	1412	1374	340	49	1480	1412	1374	340
57	1533	1465	1427	280	57	1533	1465	1427	280	57	1533	1465	1427	280
58	1733	1665	1627	320	58	1733	1665	1627	320	58	1733	1665	1627	320
59	1833	1765	1727	340	59	1833	1765	1727	340	59	1833	1765	1727	340
68	2066	1998	1960	320	68	2066	1998	1960	320	68	2066	1998	1960	320
69	2186	2118	2080	340	69	2186	2118	2080	340	69	2186	2118	2080	340
79	2539	2471	2433	340	79	2539	2471	2433	340	79	2539	2471	2433	340

Table for model THC						Table for model THH					
Mis.	INT. min. (YY)	INT. min. (YX)	D	V	C	Mis.	INT. min. (YY)	INT. min. (YX)	D	V	C
11	216	265	128	91	115	11	221	270	135	95	115
12	241	290	153	116	140	12	246	295	160	120	140
13	266	315	178	141	165	13	271	320	185	145	165
14	291	340	203	166	190	14	296	345	210	170	190
15	321	370	233	196	220	15	326	375	240	200	220
16	351	400	263	226	250	16	356	405	270	230	250
17	381	430	293	256	280	17	386	435	300	260	280
18	421	470	333	296	320	18	426	475	340	300	320
19	441	490	353	313	340	19	446	495	360	320	340
24	494	543	406	367	190	24	506	548	420	380	190
25	554	603	466	427	220	25	566	608	480	440	220
26	614	663	526	489	250	26	626	668	540	500	250
27	674	723	586	549	280	27	686	728	600	560	280
28	754	803	666	628	320	28	766	808	680	640	320
29	794	794	706	668	340	29	806	855	720	680	340
36	877	926	789	751	250	36	896	945	810	770	250
37	967	1016	879	841	280	37	986	1035	900	860	280
38	1087	1136	999	961	320	38	1106	1155	1020	980	320
39	1147	1196	1059	1021	340	39	1166	1215	1080	1040	340
47	1260	1309	1172	1134	280	47	1286	1335	1200	1160	280
48	1420	1469	1332	1294	320	48	1446	1495	1360	1320	320
49	1500	1549	1412	1374	340	49	1526	1575	1440	1400	340
57	1553	1602	1465	1427	280	57	1586	1635	1500	1460	280
58	1753	1753	1665	1627	320	58	1786	1835	1700	1660	320
59	1853	1902	1765	1727	340	59	1886	1919	1800	1760	340
68	2086	2135	1998	1960	320	68	2126	2175	2040	2000	320
69	2206	2206	2118	2080	340	69	2246	2286	2160	2120	340
79	2559	2608	2471	2433	340	79	2606	2655	2520	2480	340

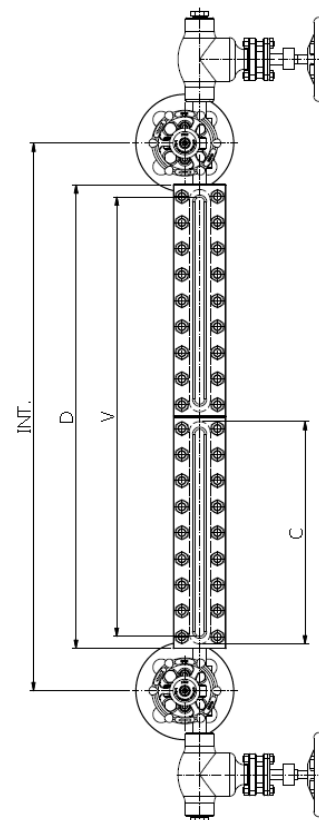
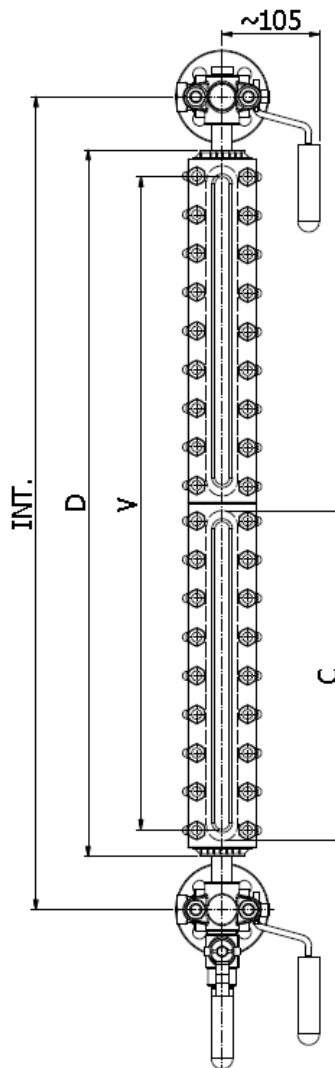
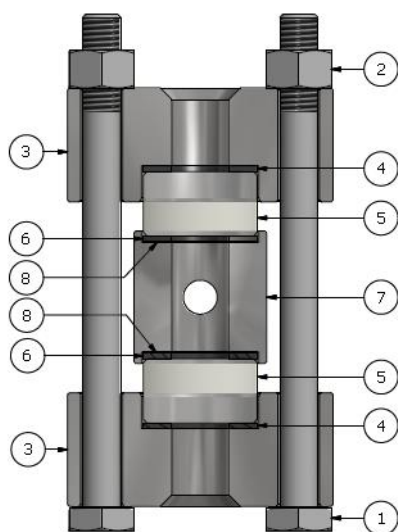


Table for model TLC				
Mis.	INT. min. (NY)	D	V	C
12	258	168	116	140
13	283	193	141	165
14	308	218	166	190
15	338	248	196	220
16	368	278	226	250
17	398	308	256	280
18	438	348	296	320
19	458	368	313	340
24	513	423	367	190
25	573	483	427	220
26	633	543	489	250
27	693	603	549	280
28	773	683	628	320
29	813	723	668	340
36	898	808	751	250
37	988	898	841	280
38	1108	1018	961	320
39	1168	1078	1021	340
47	1283	1193	1134	280
48	1443	1353	1294	320
49	1523	1433	1374	340
57	1578	1488	1427	280
58	1778	1688	1627	320
59	1878	1786	1727	340
68	2113	2023	1960	320
69	2233	2143	2080	340

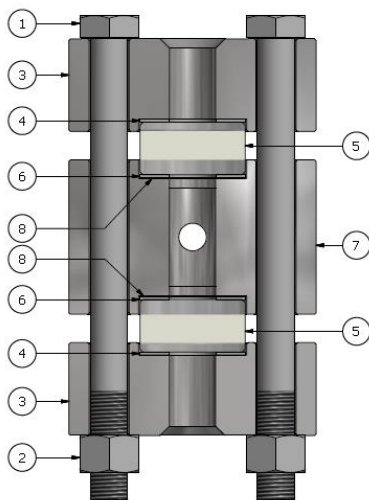


9. SPARE PARTS AVAILABLE UPON REQUEST (*)
Version for series TBB - TMC - TAC



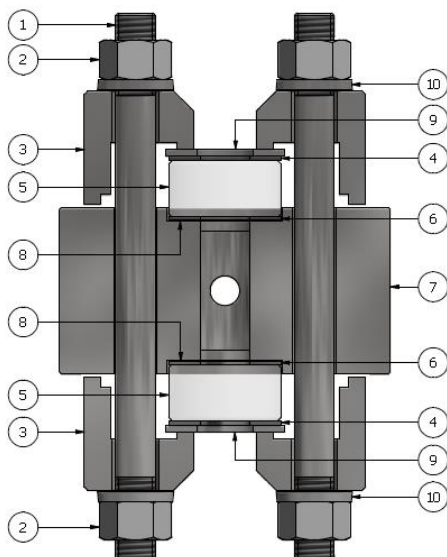
POSITION	DESCRIPTION
1	Stud bolts
2	Nuts
3	Cover
4 (*)	Protection
5 (*)	Crystal
6 (*)	Gasket
7	Body
8(*)	Shield(if required)

Version for series THC



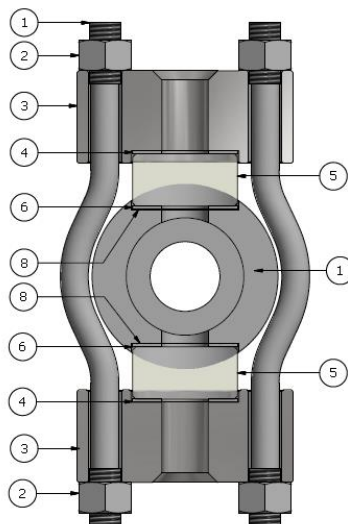
POSITION	DESCRIPTION
1	Stud bolts
2	Nuts
3	Cover
4 (*)	Protection
5 (*)	Crystal
6 (*)	Gasket
7	Body
8(*)	Shield(if required)

Version for series THH



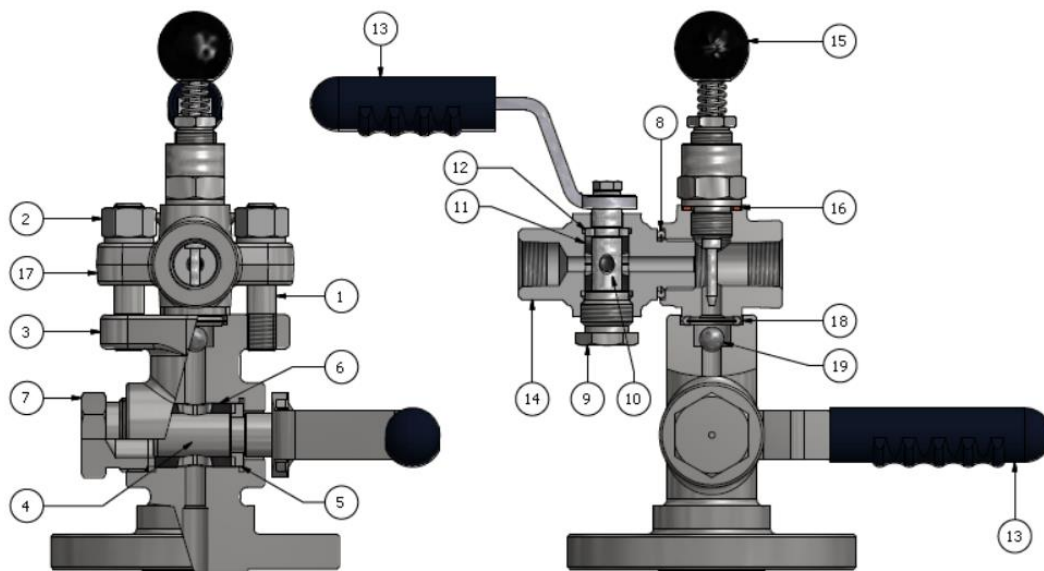
POSITION	DESCRIPTION
1	Stud bolts
2	Nuts
3	Cover
4 (*)	Protection
5 (*)	Crystal
6 (*)	Gasket
7	Body
8(*)	Shield(if required)
9	Pressure plate
10	Cupped spring washer

Version for series TLC



POSITION	DESCRIPTION
1	Stud bolts
2	Nuts
3	Cover
4 (*)	Protection
5 (*)	Crystal
6 (*)	Gasket
7	Body
8(*)	Shield(if required)

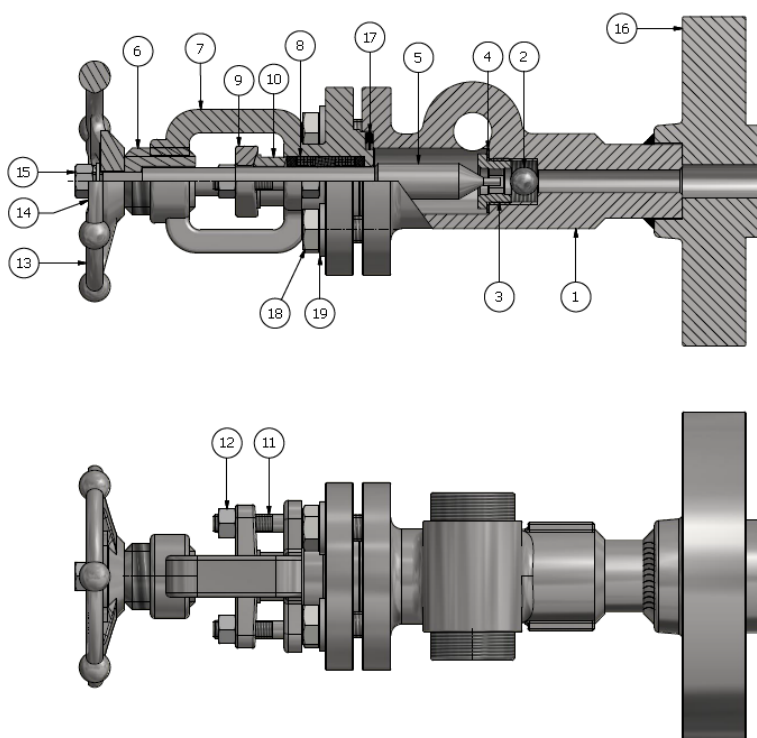
Version for series NY valve assembly



POS.	DESCRIPTION
1	Stud bolt
2	Nut
3	Intercept valve body
4	Male size 18
5	Ring size 18
6(*)	Case size 18
7	Case presser size 18
8	Seal
9	Case presser size 12
10	Male size 12
11(*)	Case size 12
12	Ring size 12
13	Handle
14	Drain valve body
15	Separator
16	Seal
17	Flange body
18	Seal
19	Safety ball

The recommended spare parts are marked with an asterisk placed beside the position. In the demand for spare parts, always indicate the equipment serial number. This number is provided in the instrument identification plate, that is fastened to the bottom of the instrument, and is a five-digit number preceded by the letter "F" (e.g.: F45678).

Version for YY valve assembly



POS.	DESCRIPTION
1	Body
2	Ball check
3	Valve seat
4	Gasket
5	Spindle
6	Threaded bush
7	Bonnet
8(*)	Stuffing box ring
9	Stuffing box retainer
10	Packing gland
11	Stud bolts
12	Nut
13	Handwheel
14	Identification plate
15	Nut
16	Connection
17(*)	Gasket
18	Body screw
19	Washer



10. TROUBLESHOOTING

Level indicators of the T series are not normally exposed to faults.

Warning: in the event of fluid leaks, the level indicator shall be immediately intercepted. Follow the step-by-step instructions as indicated in paragraph 7 (Maintenance) to restore the instrument integrity.

11. DISPOSAL

When the instruments have come to the end of their service life, they need to undergo disposal. Always comply with the applicable regulations in force.

During the disposal stages, specially mind the polymers, resins and rubbers used in the manufacture (such as PVC, PTFE, PP, PVDF, neoprene, Viton, etc.).

All metal parts, after the removal of seals and gaskets, special protective coatings requested by the customer and all other plastic parts, can be recycled.

12. GUARANTEE

All level indicators of the T series are guaranteed to be free from manufacturing faults over a period of 12 months from the date of shipment. In the event of failures, implying return of goods within the limit specified above, Officine Orobiche will replace (**shipment fees not included**) all damaged parts free, provided that the failure does not ensue from incorrect use. Officine Orobiche shall never be held responsible for any incorrect use of their products when these are used for purposes other than those mentioned in the specifications approved at the order stage. In these cases, no complaints will ever be taken into consideration. No damage and/or fee, whether direct or indirect, ensuing from an incorrect installation or use shall ever be debited to Officine Orobiche. The instrument can be used for a maximum life period of 10 years dating from delivery.

When this period is over, there are two alternative options:

- 1) Replace it with a new instrument.
- 2) Have the old instrument overhauled by Officine Orobiche

INSTRUMENT RETURN PROCEDURE

The instrument returning to the factory shall bear, in attachment, the following data:

- 1) Buyer's name.
- 2) Description of the material.
- 3) Detected fault.
- 4) Process data.
- 5) Specification of the fluids that have been used with the instrument.

The instrument shall be returned perfectly clean and free from dust or deposits. Otherwise, Officine Orobiche reserves the right not to carry out the servicing and return the instrument to the sender.

FINAL REMARKS

Each instrument is supplied fully assembled and equipped with all the needed accessories.

Some parts are sold separately under special circumstances only.

Therefore, we warn you to carefully inspect the supply and notify us at once if discrepancies are found

NB: IN CASES WHEN THE DEVICES ARE INTENDED FOR USE BIS AREAS FEATURING POTENTIALLY HAZARDOUS ATMOSPHERES, THE USER SHALL STICK TO THE **ADDITIONAL SAFETY INSTRUCTIONS ATTACHED TO THE STANDARD ONES.**