



**INSTRUCTION MANUAL FOR FLOWMETERS
SERIES 212-231**

Flowmeters must be fitted in an absolutely vertical position on accurately aligned piping and at controlled distances in order to prevent mechanical stresses on the instrument.

Whether you notice some fluid drops from the ferrule (2), you should screw it until the drop is nullified.

The flowmeter may require maintenance for two reasons: cleaning the glass pipe and replacing it.

Dismantling the instrument

- Turn the ring nut (1) in a counter-clockwise direction;
- Remove the glass pipe together with clamps and float (remove from below);
- Take out the float clamp and float (**ALWAYS FROM ABOVE**);
- Proceed with cleaning or replacement of the glass pipe; always a soft brush or cloths;

Follow the above operations in the reverse order to reassemble the instrument.

Gaskets should be replaced every time the flowmeter is dismantled, either for regular cleaning or when it is necessary to replace the measuring pipe.

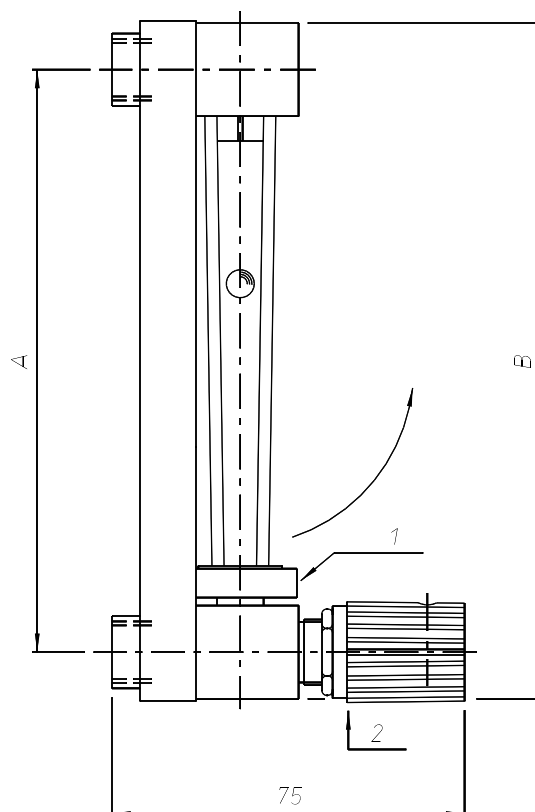
Recommended spare parts

- Glass pipe
- Gaskets
- Float

All supplied in a single kit

N.B. When ordering spare parts always indicate the instrument's series number. It is shown on the instrument's data plate attached to the instrument. It is a five-figure number preceded by the letter "F" (e.g. F.45678).

TYPE	A	B
212	125	145
231	325	345



**INSTRUCTION MANUAL FOR FLOWMETERS
SERIES 212-231**

In case of flowmeter with sensor see above:

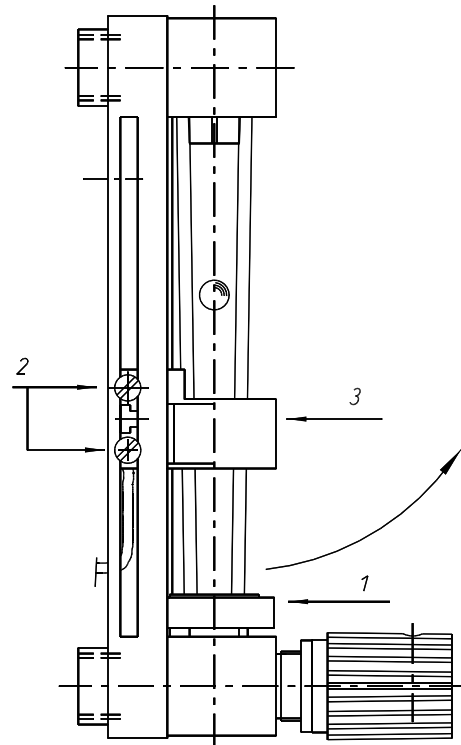
Dismantling the instrument

- Switch off and empty the instrument;
- Remove, turning in a counter-clockwise direction, the nut (2) of sensor (3);
- Turn the ring nut (1) in a counter-clockwise direction;
- Remove the glass pipe together with sensor (kept to half pipe), clamps and float (remove from below);
- Take out the float clamp and float (**ALWAYS FROM ABOVE**);
- Proceed with cleaning or replacement of the glass pipe; always a soft brush or cloths;

Follow the above operations in the reverse order to reassemble the instrument.

Technical data

- **SENSOR TYPE:** Inductive NAMUR
- **SUPPLY:** 8 Vd.c. two wire
- **MODEL:** Monostable and Bistable

**Disposal**

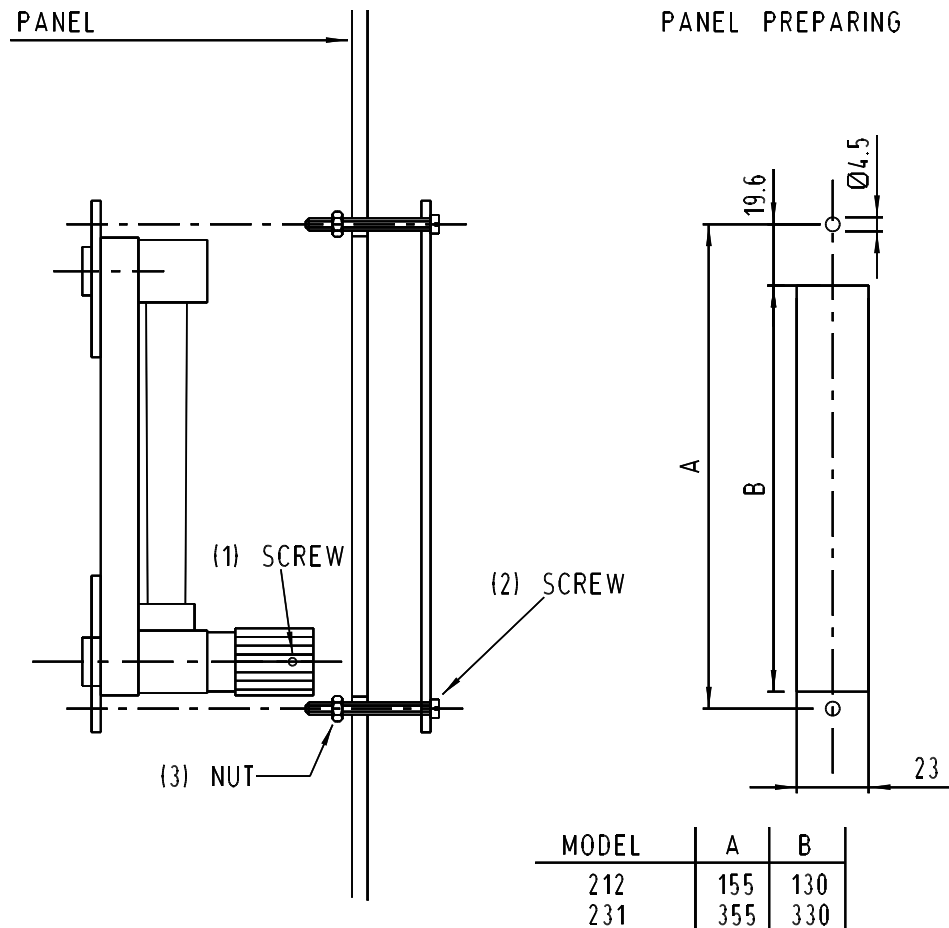
When instruments have completed their working life cycle they must be scrapped according to normal regulations.

During the disposal process, take care with polymers, rubber and resins used in building the instrument.

The metal parts, once they have been stripped of their lining and specific protective covering required by the customer, are recyclable.

INSTRUCTION MANUAL FOR FLOWMETERS SERIES 212-231

PANEL MOUNTING



Mounting instruction

1. Disassemble the handle of the flowmeter through the screw (1).
2. Assemble the screw (2) as per draw.
3. Screw up the screw (2) in the flowmeter.
4. Block up the nut (3) at the panel.
5. Re-assemble the handle.

N.B. IN CASES WHEN THE INSTRUMENTS ARE MEANT TO BE USED IN AREAS FEATURING POTENTIALLY EXPLOSIVE ATMOSPHERES, THE USER SHALL COMPLY WITH THE ADDITIONAL SAFETY INSTRUCTIONS ATTACHED TO THE STANDARD ONES.