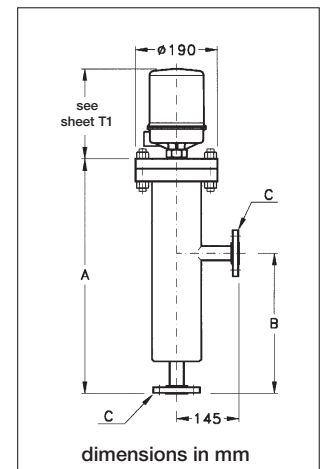
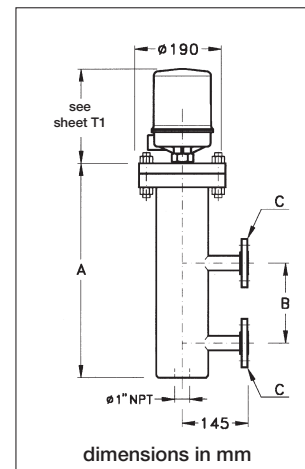
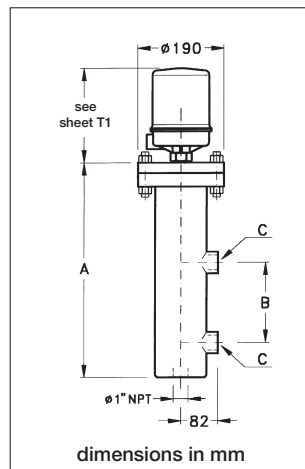
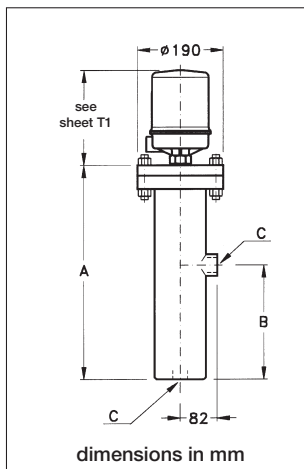
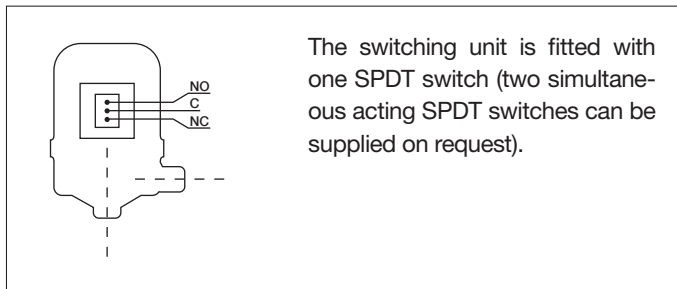
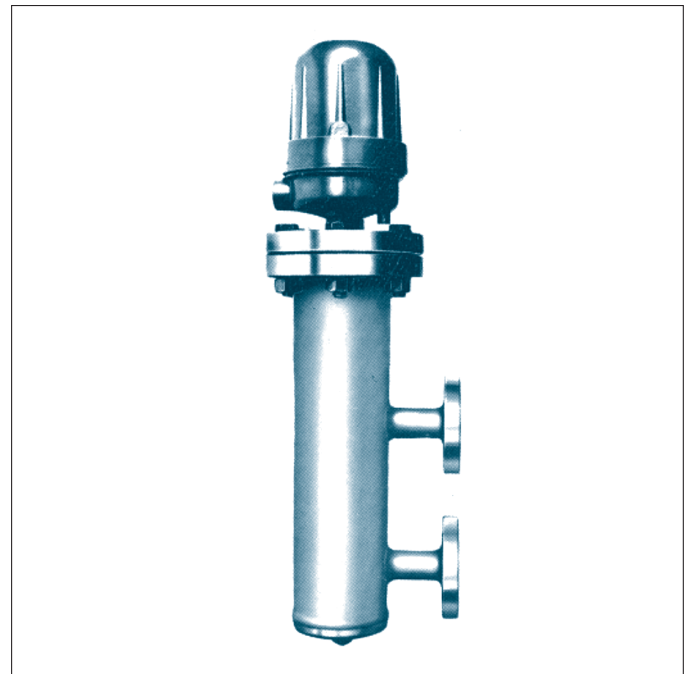


## 4070 SERIES LEVEL SWITCHES

Buoyancy level switch for external mounting on tank with a single switching unit. For pressure up to 50 Bar and temperatures up to 135°C max. Specific gravity of 0.4 kg/dm<sup>3</sup> min. Inspectable body. Minimum differential of switch, with SP.GR. 0.4 kg/dm<sup>3</sup>, 70 mm. Set point accuracy: ± 7 mm.



**NOTE.** The set points are supplied on request, since these change according to the specific gravity and working conditions.

CONNECTIONS	THREADED			FLANGED		
	B CONNECTIONS DISTANCE mm	A mm	WEIGHT ~ kg	B CONNECTIONS DISTANCE mm	A mm	WEIGHT ~ kg
SIDE/BOTTOM	255	480	30	330	555	35
SIDE/SIDE	178	480	30	178	480	35
SIDE/SIDE	292	595	35	292	595	40
SIDE/SIDE	330	630	36	330	630	41
SIDE/SIDE	356	656	37	356	656	42

Standard "C" connections: Threading 1" NPT-F; Flange UNI PN ....DN 25/1" ANSI.....RF; 1" S.W.  
On request, non-standard threads and flanges can be supplied.

On request, special versions can be supplied for working at temperatures below -10°C and over 135°C.

## WORKING CONDITIONS

MODEL		4072			4074			4076		
STD "C" FLANGE		1" ANSI 150 RF UNI DN 25 PN 16			1" ANSI 300 RF UNI DN 25 PN 40			1" ANSI 600 RF UNI DN 25 PN 64		
VERSION		A	I	J	A	I	J	A	I	J
Temperatures	38° C	20	19	19	40	40	40	52	50	50
	100° C	17	15	16	35	30	31	46	40	42
	135° C	16	14	15	35	28	29	46	37	39
BODY RATING		ANSI 150			PN 40			ANSI 300		

Max pressure in bar

## MATERIALS

CODE FOR:	Materials	Carbon steel	AISI 304	AISI 316
	Body	A	I	J
	Displacer	-	-	2

## SWITCHES

Type	Mercury switch	Dry microswitch					Pneumatic switch*
Load rating	220 V a. c. 10 A 110 V d. c. 1,5 A	250 V a. c. 10 A 125 V d. c. 0,5 A	125 V d. c. 10 A	250 V a. c. 10 A 110 V d. c. 0,5 A waterproof	125 V a. c. 1 A 28 V d. c. 1 A waterproof with gold contacts	250 V a. c. 1 A 24 V d. c. 3 A sealed with inert gas	Output: 0 ÷ 40 psi max.
CODE	VD	M2	M3	M4	M6	M14	PNA (aluminium)

\*Air inlet and output connection 1/4" NPT-F - No bleed type

## ENCLOSURES

Type	Waterproof	Explosion-proof	The (WP) enclosures can be supplied whit gland or with a 3 or 7 pole connector as per MIL standards.  The (EP) enclosures can be supplied whit explosion-proof gland.  1) CESI certificate N. 02-ATEX-126.
Material	Aluminium	Aluminium	
Electrical connection	1/2" NPT-F 3/4" NPT-F ISO M20X1.5	1/2" GAS/UNI 6125/NPT-F 3/4" GAS/UNI 6125/NPT-F ISO M20X1.5	
Protection degree	IP 66	ATEX II 2 G Ex d IIC T6 o T5 Gb ATEX II 1/2 D Ex ta/tb IIIC T85° o T100° C Da/Db IP 66	
CODE	WP	EP	

## HOW TO ORDER

Example: 4072 - A - 2 - M2 - WP

4072 model  
A body in carbon steel  
2 displacer in S/steel AISI 316  
M2 dry micro. 250 V a.c. - 10 A  
WP waterproof enclosure

The following data are required: type of fluid, specific gravity, operating temperature and pressure.