

3070 SERIES LEVEL SWITCHES

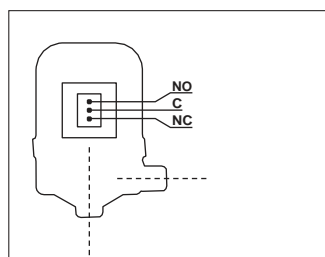
One-float level switch, with inspectable body, for external side mounting with one or two switching units. For pressure up to 50 Bar, for temperatures up to 400°C max. and for fluids with a low specific gravity down to 0.35 kg/dm³. These instruments are suitable for interface service LIQ / LIQ.

Minimum differential of each switch with SP.GR. of 1 kg/dm³, 20 mm.

Set point accuracy: ± 5 mm.

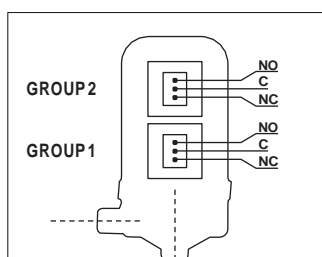


NOTE. The set points are supplied on request, since these change according to the specific gravity and working conditions.



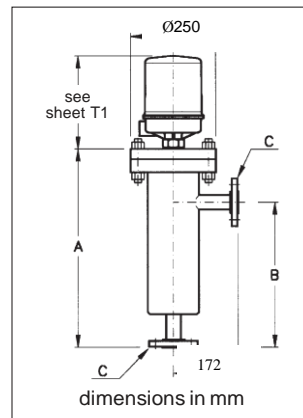
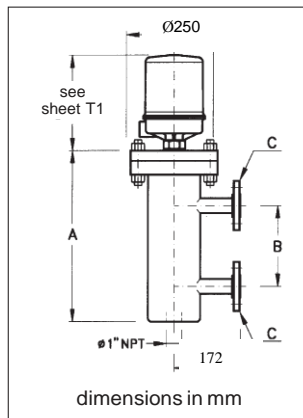
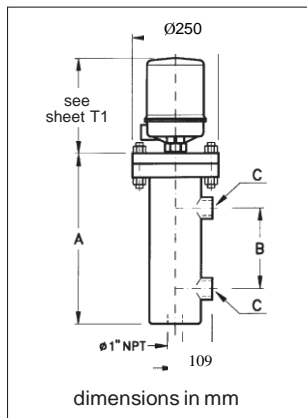
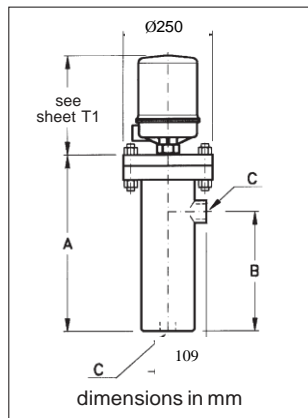
3070 series

The **3070** series is equipped with one switching unit fitted with one SPDT switch (two simultaneous acting SPDT switches can be supplied on request).



3070 D series

The **3070 D** series is equipped with two switching units (for separate actions) with one SPDT switch fitted on each unit.



CONNECTIONS	THREADED			FLANGED		
	B CONNECTIONS DISTANCE mm	A mm	WEIGHT ~ kg	B CONNECTIONS DISTANCE mm	A mm	WEIGHT ~ kg
SIDE/BOTTOM	255	385	47	330	460	50
SIDE/SIDE	178	385	45	178	385	48
SIDE/SIDE	292	500	47	292	500	50
SIDE/SIDE	330	540	50	330	540	53
SIDE/SIDE	356	565	51	356	565	54

Standard "C" connections: Threading 1" NPT-F; Flange UNI PN ...DN 25/1" ANSI.....RF; 1" S.W.

On request, non-standard threads and flanges can be supplied.

For temperatures exceeding 135°C or below -10°C, fins with the "R" code are fitted on all versions; temps. of 135-250°C, R1; 250-400°C, R4; -10 to 80°C, R3.

WORKING CONDITIONS

MODEL		3072			3074			3076		
STD "C" FLANGE		1" ANSI 150 RF UNI DN 25 PN 16			1" ANSI 300 RF UNI DN 25 PN 40			1" ANSI 600 RF UNI DN 25 PN 64		
VERSION		A	I	J	A	I	J	A	I	J
Temperatures	100° C	17	15	16	35	30	31	46	40	42
	150° C	15	13	14	34	27	29	45	36	38
	200° C	13	12	13	33	25	27	43	32	35
	250° C	11	11	11	32	23	25	41	30	33
	300° C	10	10	10	29	22	24	38	28	31
	350° C	8	8	8	28	21	23	36	28	30
	400° C	6	6	6	27	21	22	34	27	29
BODY RATING		ANSI 150			PN 40			ANSI 300		

Max pressure in bar

MATERIALS

CODE FOR:	Materials	Carbon steel	AISI 304	AISI 316
	Body	A	I	J
	Float	-	-	2

On request, versions in plastic (PVC - MOPlEN - PVDF) can be supplied.

SWITCHES

Type	Mercury switch	Drymicroswitch					Pneumatic switch*
Load rating	220 V a. c. 10 A 110 V d. c. 1,5 A	250 V a. c. 10 A 125 V d. c. 0,5 A	125 V d. c. 10 A	250 V a. c. 10 A 125 V d. c. 0,5 A waterproof	125 V a. c. 1 A 28 V d. c. 1 A waterproof with gold contacts	250 V a. a. 1A 24 V d.c. 3A sealed with inert gas	Output: 0 ÷ 40 psi max.
CODE	VD	M2	M3	M4	M6	M14	PNA (aluminium)

*Air inlet and output connection 1/4" NPT-F - No bleed type

ENCLOSURES

Type	Waterproof	Explosion-proof	
Material	Aluminium	Aluminium	The (WP) enclosures can be supplied whit gland or with a 3 or 7 pole connector as per Mil standards. The (eP) enclosures can be supplied whit explosion-proof gland. 1) CeSI 2ertify N. 02-AteX-126
Electrical Connection	1/2" NPT-F/GAS 3/4" NPT-F/GAS ISO M20X1.5	1/2" UNI 6125/NPT-F 3/4" UNI 6125/NPT-F ISO M20X1.5	
Protection degree	IP 66	ATEX II 2 G Ex d IIC T6 o T5 Gb ATEX II 1/2 D Ex ta/tb IIIC T85° o T100° C Da/Db IP 66	
CODE	WP	EP	

HOW TO ORDER

example: 3072 - A - 2 - M2 - WP - R1

- 3072 model
- A body in carbon steel
- 2 float in S/ steel AISI 316
- M2 dry micro. 250 v a.c. - 10 A
- WP waterproof enclosure
- R1 coolings fins (t 200° C); optional

The following data are required: type of fluid, specific gravity, operating temperature and pressure.