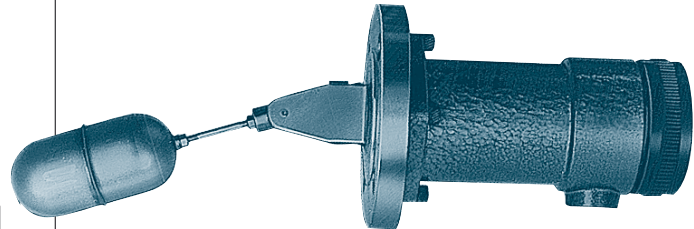


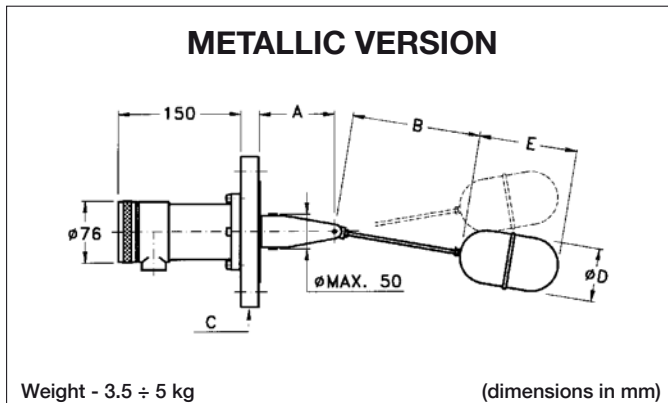
## 10 SERIES LEVEL SWITCHES

One-float magnetic opposition level switch for side mounting with one switching unit, for pressure up to 25 Bar, for temperatures up to 100°C and for fluids with a specific gravity of 0.7kg/dm<sup>3</sup> min. Set point accuracy ± 5 mm.

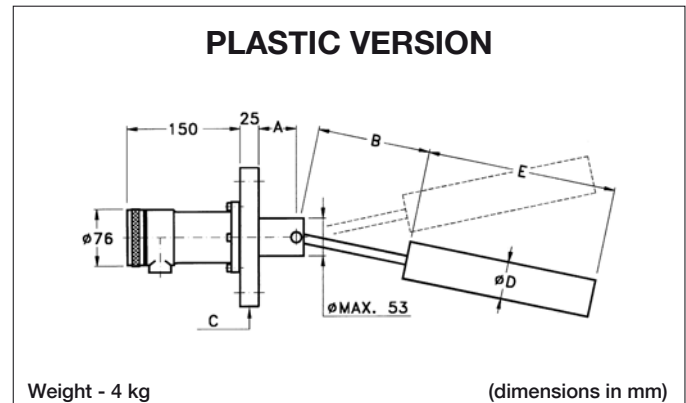


STANDARD FLANGE CONNECTION (C)
UNI DN 50 PN 16 - PN 25 <sup>(2)</sup> / 2" ANSI 150 RF - 300 RF <sup>(2)</sup> <sup>(1)</sup>
UNI DN 65 PN 16 - PN 25 <sup>(2)</sup> / 2 1/2" ANSI 150 RF - 300 RF <sup>(2)</sup> <sup>(1)</sup>
UNI DN 80 PN 16 - PN 25/ 3" ANSI 150 RF - 300 RF <sup>(2)</sup>
SQUARE FLANGE 92 x 92 mm - PN 25 <sup>(2)</sup>

1) For the plastic version see tolerance limits on next page.  
2) Not available for plastic version.



DIFFERENTIALS WITH SP.GR. = 1 kg/dm <sup>3</sup>			
B	A = 45	A = 95	A = 145
100	60	30	-
150	80	40	25
200	100	50	31
250	120	60	37
300	140	70	43



DIFFERENTIALS WITH SP.GR. = 1 kg/dm <sup>3</sup>	
B	A = 50
150	80
250	110

Values of operation differentials refer to stem length **B** and to the support type **A**.

FLOAT FOR METALLIC VERSION		
D	E	APPLICATIONS
48	93	With all flange connection types (SP.GR. 0,8 kg/dm <sup>3</sup> min.)
68	120	For UNI DN 65 - DN 80 (ANSI 2 1/2" - 3") flange only

FLOAT FOR PLASTIC VERSION		
D	E	APPLICATIONS
50	250	With all flange connection types (SP.GR. 1 kg/dm <sup>3</sup> min.)

Dimensions and values in mm

## MATERIALS

CODE FOR:	MATERIALS	AISI 316	PVC	MOPLEM	PVDF
	Body	J	P	M	PF
	Float and internal parts	2	5	6	PF

## TOLERANCE LIMITS OF PLASTIC VERSION SWITCHES

MATERIALS		
PVC		from 0°C to + 60°C; pressure 6 bar at 25°C; 4 bar at 35°C; 1 bar at 60°C
MOPLEM		from 0°C to + 80°C; pressure 6 bar at 25°C; 4 bar at 45°C; 1 bar at 80°C
PVDF		from -10°C to + 135°C; pressure 6 bar at 20°C; 4 bar at 65°C; 1 bar at 135°C

## SWITCHES

Type	Dry switch
Load rating	250 V a. c. 4 A 125 V d. c. 0,4 A
CODE	M1

## ENCLOSURE

Type	Waterproof
Material	Aluminium
Electrical Connection	1/2" GAS
Protection Degree	IP 55
Code	WP

## HOW TO ORDER

Example: 10 - J - 2 - M1 - WP

10	model
J	AISI 316 body
2	AISI 316 float
M1	dry microswitch 250 V a.c. - 5 A
WP	waterproof enclosure

The following data are required: type of fluid, specific gravity, operating temperature and pressure.